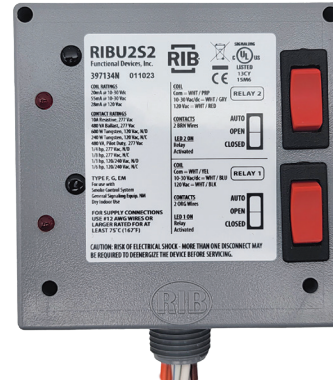
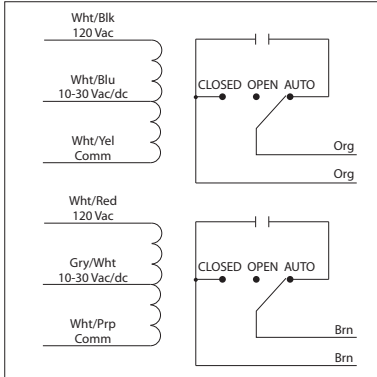


**10 AMP PILOT CONTROL RELAY**

**RIBU2S2**

Pilot Relays, 10 Amp 2 SPST-N/O + 2 Overrides, 10-30 Vac/dc/120 Vac Coil, NEMA 1 Housing



**SPECIFICATIONS**

- # Relays & Contact Type:** Two (2) SPST Continuous Duty Coil
- Expected Relay Life:** 10 million cycles minimum mechanical
- Operating Temperature:** -30 to 140° F
- Humidity Range:** 5 to 95% (noncondensing)
- Operate Time:** 20ms
- Relay Status:** LED On = Activated
- Dimensions:** 4.00"H x 4.00"W x 1.81"D with 0.50" NPT nipple
- Housing Detail:** See Housing C in housing guide for dimensions
- Origin:** Made of US and non-US parts
- Wires:** 16", 600V Rated
- Approvals:** UL Listed, UL916, C-UL, CE, RoHS
- Housing Rating:** UL Accepted for Use in Plenum, NEMA 1
- Gold Flash:** Yes
- Override Switch:** Yes (2)

- Contact Ratings:**
  - 10 Amp Resistive @ 277 Vac
  - 480 VA Pilot Duty @ 277 Vac
  - 480 VA Ballast @ 277 Vac
  - Not rated for Electronic Ballast
  - 600 Watt Tungsten @ 120 Vac (N/O)
  - 240 Watt Tungsten @ 120 Vac (N/C)
  - 1/3 HP @ 120-240 Vac (N/O)
  - 1/6 HP @ 120-240 Vac (N/C)
  - 1/4 HP @ 277 Vac (N/O)
  - 1/8 HP @ 277 Vac (N/C)

- Coil Current:**
  - 33 mA @ 10 Vac
  - 35 mA @ 12 Vac
  - 46 mA @ 24 Vac
  - 55 mA @ 30 Vac
  - 28 mA @ 120 Vac
  - 13 mA @ 10 Vdc
  - 15 mA @ 12 Vdc
  - 18 mA @ 24 Vdc
  - 20 mA @ 30 Vdc

**Notes:**  
Order Normally Closed by adding "-NC" to end of model number

**Coil Voltage Input:**  
10-30 Vac/dc; 120 Vac; 50-60 Hz  
Drop Out = 2.1 Vac / 2.8 Vdc  
Pull In = 9 Vac / 10 Vdc