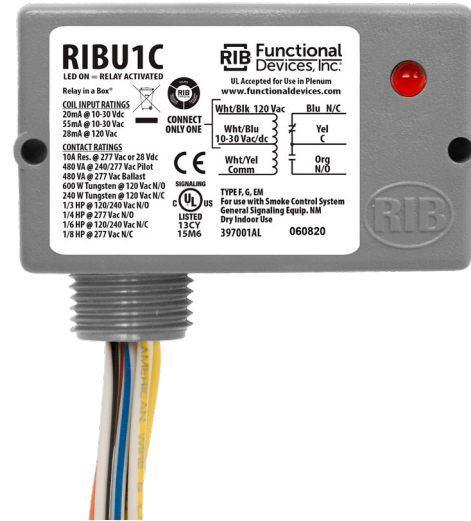
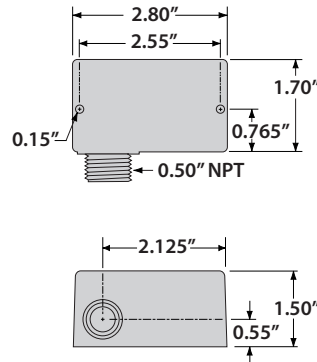
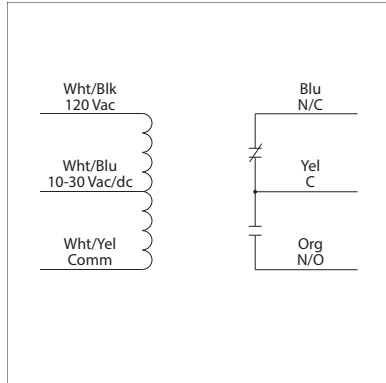


10 AMP PILOT CONTROL RELAY

RIBU1C

Pilot Relay, 10 Amp SPDT, 10-30 Vac/dc / 120 Vac Coil, NEMA 1 Housing



RIBU1C-N4



RIBU1C-RD

SPECIFICATIONS

Relays & Contact Type: One (1) SPDT Continuous Duty Coil
Expected Relay Life: 10 million cycles minimum mechanical
Operating Temperature: -30 to 140° F
Humidity Range: 5 to 95% (noncondensing)
Operate Time: 20ms
Relay Status: LED On = Activated
Dimensions: 1.70"H x 2.80"W x 1.50"D with 0.50" NPT hub
Origin: Made of US and non-US parts
Wires: 16", 600V Rated
Approvals: UL Listed, C-UL, CE, RoHS (All models)
 UL916 (RIBU1C)
 UL864, California State Fire Marshal (RIBU1C-RD)
 UL508 (RIBU1C-N4)
Housing Rating: UL Accepted for Use in Plenum, NEMA 1
Gold Flash: Yes
Override Switch: No

Coil Current:
 33 mA @ 10 Vac
 35 mA @ 12 Vac
 46 mA @ 24 Vac
 55 mA @ 30 Vac
 28 mA @ 120 Vac
 13 mA @ 10 Vdc
 15 mA @ 12 Vdc
 18 mA @ 24 Vdc
 20 mA @ 30 Vdc
Note:
 Order packs by adding "-10PACK", "-25PACK", or "-100PACK" to end of model number.

Coil Voltage Input:
 10-30 Vac/dc ; 120 Vac ; 50-60 Hz
 Drop Out = 2.1 Vac / 2.8 Vdc
 Pull In = 9 Vac / 10 Vdc

Contact Ratings:
 10 Amp Resistive @ 277 Vac
 10 Amp Resistive @ 28 Vdc
 480 VA Pilot Duty @ 240-277 Vac
 480 VA Ballast @ 277 Vac
Not rated for Electronic Ballast
 600 Watt Tungsten @ 120 Vac (N/O)
 240 Watt Tungsten @ 120 Vac (N/C)
 1/3 HP @ 120-240 Vac (N/O)
 1/6 HP @ 120-240 Vac (N/C)
 1/4 HP @ 277 Vac (N/O)
 1/8 HP @ 277 Vac (N/C)