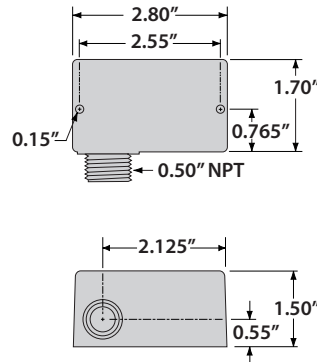
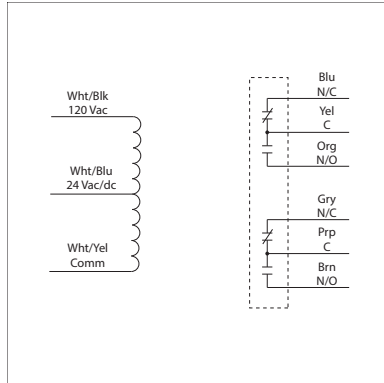


10 AMP PILOT CONTROL RELAY

RIB2402D

Pilot Relay, 10 Amp DPDT, 24 Vac/dc / 208-277 Vac Coil, NEMA 1 Housing



RIB2402D-N4



RIB2402D-RD

SPECIFICATIONS

Relays & Contact Type: One (1) DPDT Continuous Duty Coil

Expected Relay Life: 10 million cycles minimum mechanical

Operating Temperature: -30 to 140° F

Humidity Range: 5 to 95% (noncondensing)

Operate Time: 8ms

Relay Status: LED On = Activated

Dimensions: 1.70"H x 2.80"W x 1.50"D with 0.50" NPT hub

Origin: Made of US and non-US parts

Wires: 16", 600V Rated

Approvals: UL Listed, C-UL, CE, RoHS (All models)

UL916 (RIB2402D, RIB2402D-RD)

UL864, California State Fire Marshal (RIB2402D-RD)

UL508 (RIB2402D-N4)

Housing Rating: UL Accepted for Use in Plenum, NEMA 1

Gold Flash: No

Override Switch: No

Coil Current:

24 mA @ 18 Vac

32 mA @ 24 Vac

40 mA @ 30 Vac

36 mA @ 208-277 Vac

20 mA @ 20 Vdc

24 mA @ 24 Vdc

36 mA @ 30 Vdc

Coil Voltage Input:

24 Vac/dc ; 208-277 Vac ; 50-60 Hz

Drop Out = 3 Vac / 3.8 Vdc

Pull In = 18 Vac / 20 Vdc

Contact Ratings:

10 Amp Resistive @ 30 Vdc

10 Amp General Use @ 277 Vac

1/2 HP @ 120/240 Vac (N/O)

1/3 HP @ 120/240 Vac (N/C)

B300 Pilot Duty

120 Vac 30A Make 3A Break (360 VA) 240

Vac 15 A Make 1.5A Break (360 VA)

208 Vac 17.3A Make 1.73A Break (360 VA)

277 Vac 13A Make 1.3A Break (360 VA)

24 Vac 30A Make 5A Break (120VA) 5A Max