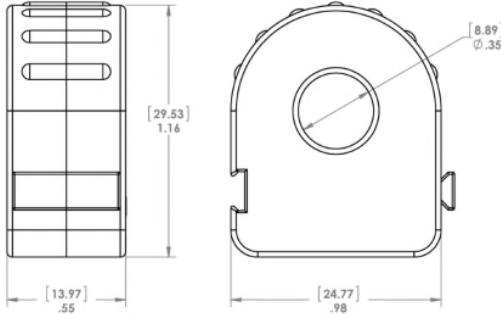


**CURRENT TRANSFORMER**

**CTS-60A35-333**

Enclosed Self-Powered Solid Core 60 Amp Current Transformer with 333 mV Output



**SPECIFICATIONS**

**Environment:** Indoor Use Only  
5 to 176° F (-15 to 80°C)  
90% relative humidity

**Wires:** 2', 22 AWG  
600V Rated

**Primary Input (A):** 60A max. AC 50/60 Hz

**Secondary Output (V):** 0.333 Vac

**Accuracy:** 0.2% (typical)

**Linearity:** 10%-120%

**Polarity:** White-Hi, Black-Low

**Frequency Range:** 40-400 Hz

**Max Sense Voltage:** 600 Vac

**Approvals:** ETL Listed, CE, RoHS

**Ratio:** 100A/0.333V  
Alternate ratios available for large orders