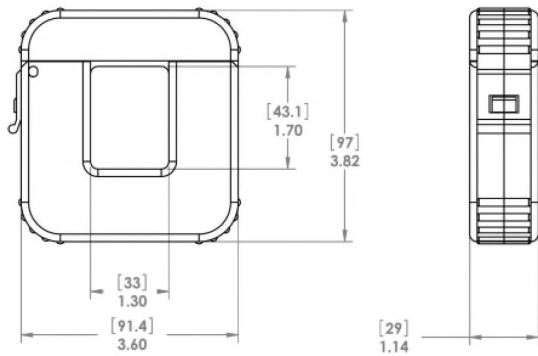


## CURRENT TRANSFORMERS

### CTA4 SERIES

Enclosed Self-Powered Split Core 100, 200, and 400 Amp Revenue Grade Current Transformers with 333 mV Output



### SPECIFICATIONS

- Environment:** Indoor Use Only  
5 to 176° F (-15 to 80°C)  
90% relative humidity
- Wires:** 6', 18 AWG, 600V Rated
- Primary Input:** Arrow points toward Load
- Secondary Output:** 0.333 Vac
- Accuracy:** 0.5% (typical)
- Linearity:** 10%-120%
- Polarity:** White-Hi, Black-Low
- Frequency Range:** 40-400 Hz
- Max Sense Voltage:** 600 Vac
- Approvals:** ETL Listed, CE, RoHS

### CTA4 SERIES SELECTION GUIDE

Model #	Primary Input (A)	Secondary Output (V)	Ratio	Accuracy (%)
CT-100A4-333	100	0.333	100A/0.333V	0.5
CT-200A4-333	200	0.333	200A/0.333V	0.5
CT-400A4-333	400	0.333	400A/0.333V	0.5