

RIBXLC SERIES

RELAY & CURRENT SENSOR COMBO
Enclosed Relay/Current Sensor Combinations, SPDT with 10-30 Vac/dc Coil



SPECIFICATIONS

Relays & Contact Type: One (1) SPDT Continuous Duty Coil
Expected Relay Life: 10 million cycles minimum mechanical
Operating Temperature: -30 to 140° F
Operate Time: 20ms
Relay Status: Red LED On = Activated
Dimensions: 4.00" x 4.00" x 1.80" with .50" NPT Nipple
Wire Length: 16", 600V Rated
Approvals: UL Listed, UL916, UL864, C-UL
 California State Fire Marshal, CE, RoHS
Housing Rating: Plenum, NEMA 1
Gold Flash: Yes
Override Switch: No

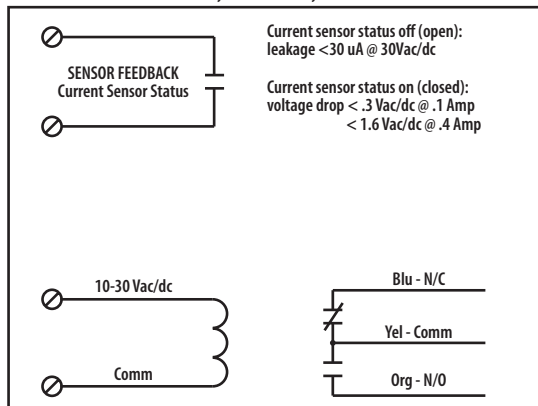
Coil Current:

30 mA @ 10 Vac
 32 mA @ 12 Vac
 42 mA @ 24 Vac
 50 mA @ 30 Vac
 12 mA @ 10 Vdc
 14 mA @ 12 Vdc
 16 mA @ 24 Vdc
 18 mA @ 30 Vdc

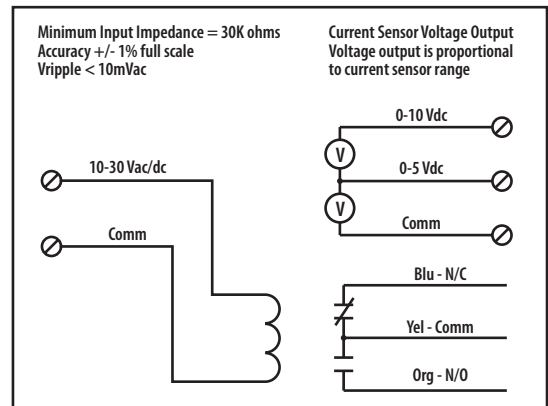
Coil Voltage Input:

10-30 Vac/dc ; 50-60 Hz
 Drop Out = 2.1 Vac / 2.8 Vdc
 Pull In = 9 Vac / 10 Vdc

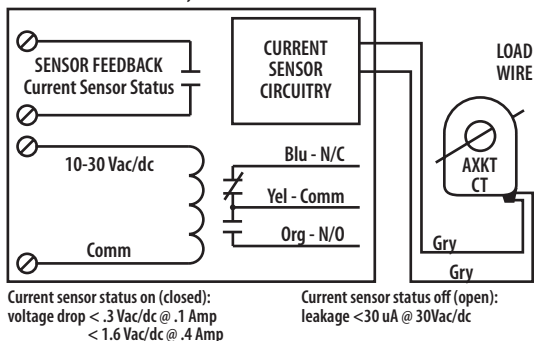
RIBXLCA, RIBXLCF, RIBXLCEA



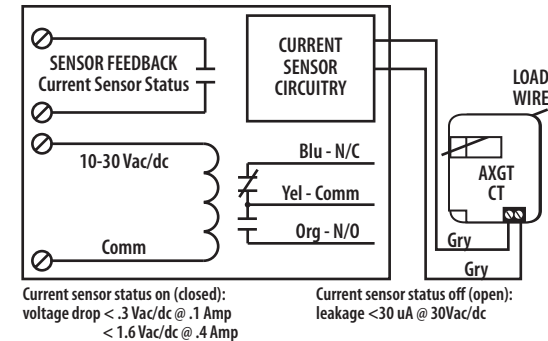
RIBXLCV, RIBXLCEV



RIBXLCRA, RIBXLCRF



RIBXLCJA, RIBXLCJF



Notes:
 * Models AXKT and AXGT CT remotes do not have contact closure circuitry and only work in conjunction with RIBXLCR and RIBXLCJ models, respectively.

RIBXLC Series Selection Guide

MODEL #	RANGE	TYPE	THRESHOLD	CURRENT SENSOR		RELAY	
				OUTPUT	REMOTE STYLE	RESISTIVE	CONTACT RATINGS
RIBXLCF	.50-10 Amps	Internal w/ contact status	Fixed, .50 Amp	Solid State Contact 30 Vac/dc, 0.4 Amp		10 Amp	10 Amp Resistive @ 120-277 Vac 10 Amp Resistive @ 28 Vdc
RIBXLCA	.50-10 Amps	Internal w/ contact status	Adjustable	Solid State Contact 30 Vac/dc, 0.4 Amp		10 Amp	480 VA Pilot Duty @ 240-277 Vac 480 VA Ballast @ 277 Vac
RIBXLCV	0-10 Amps	Internal w/ voltage output	Analog	0-5 Vdc 0-10 Vdc		10 Amp	600 Watt Tungsten @ 120 Vac N/O 240 Watt Tungsten @ 120 Vac N/C
RIBXLCRF	1.25-150 Amps	External w/ contact status	Fixed, 1.25 Amp	Solid State Contact 30 Vac/dc, 0.4 Amp	Model AXKT: (Solid Core Remote CT)	10 Amp	1/3 HP for N/O @ 120-240 Vac 1/6 HP for N/C @ 120-240 Vac
RIBXLCRA	1.25-150 Amps	External w/ contact status	Adjustable	Solid State Contact 30 Vac/dc, 0.4 Amp	Model AXKT: (Solid Core RemoteCT)	10 Amp	1/4 HP for N/O @ 277 Vac 1/8 HP for N/C @ 277 Vac
RIBXLCJF	3-150 Amps	External w/ contact status	Fixed, 3 Amp	Solid State Contact 30 Vac/dc, 0.4 Amp	Model AXGT: (Split Core Remote CT)	10 Amp	
RIBXLCJA	3-150 Amps	External w/ contact status	Adjustable	Solid State Contact 30 Vac/dc, 0.4 Amp	Model AXGT: (Split Core Remote CT)	10 Amp	
RIBXLCEA	.125-5 Amps	Internal w/ contact status	Adjustable	Solid State Contact 30 Vac/dc, 0.4 Amp		5 Amp	5 Amp Resistive @ 277 Vac 345 VA Pilot Duty @ 120/240 Vac N/O 268 VA Pilot Duty @ 277 Vac N/O 211 VA Pilot Duty @ 120/240 Vac N/C 175 VA Pilot Duty @ 277 Vac N/C
RIBXLCEV	0-5 Amps	Internal w/ voltage output	Analog	0-5 Vdc 0-10 Vdc		5 Amp	1/3 HP for N/O @ 120-240 Vac 1/6 HP for N/C @ 120-240 Vac 1/4 HP for N/O @ 277 Vac 1/8 HP for N/C @ 277 Vac